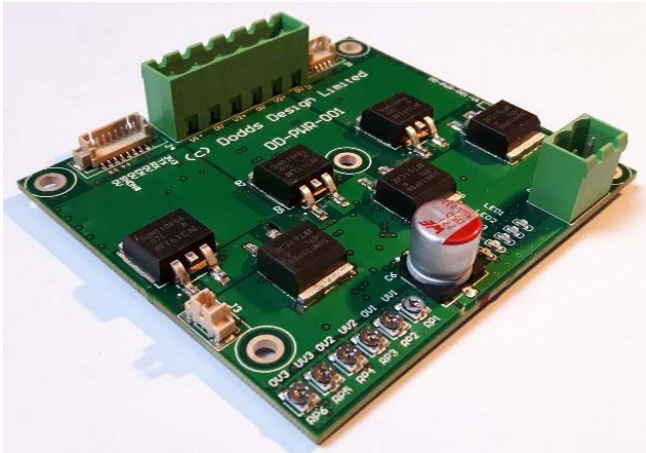


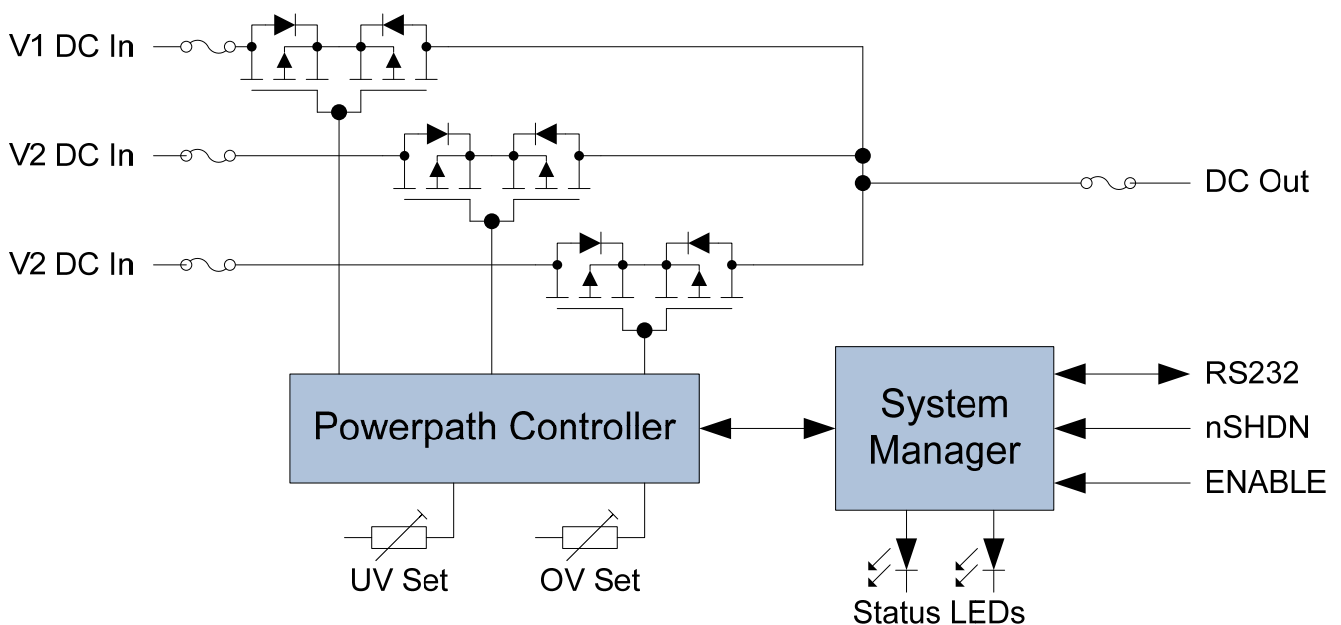
DD-PWR-001 Power Path Manager



Features

- Embeddable power path manager
- Three DC inputs that automatically switch to maintain host power
- Configurable prioritised switching between power sources
- No cross-conduction or back-feeding
- On-board LED status indication
- Remote control and system status monitoring via RS232
- Applications include battery backup systems and high availability systems

Block Diagram



Specifications

Voltage Range	Min: 5.0V Max: 32V
Maximum current	20A
Control & communication	RS232 nSHDN & Enable signals
Current Protection	20A Single Blow Fuses
Overvoltage withstand	+/-42V maximum
Temperature - Operating	-20°C to +60°C
Temperature - Storage	-20°C to +70°C
Dimensions	Length: 80mm Width: 70mm Height: 16.5mm
Weight	42g
EMC Certification	EN55022 class B EN61000-4-3 EN61000-4-6
Components	RoHS compliant

Connections

- Power Inputs – J1 or solder pads
- Power Output – J2 or solder pads
- Control/RS232 – J4

For all enquiries email: [steve@doddsdesign.co.uk](mailto:steve@doddsdesign.co.uk)